

# Value, style and performance.

Surface-mounted SKEET® XL  
looks great and delivers  
smooth, dimmable light.



**RAB**<sup>®</sup>  
LIGHTING  
RABWEB.COM • 888 722-1000

# SKEET® XL



- Surface mount to ceiling or wall
- Available in four sizes: 8" (10W), 12" (12W), 16" (20W) or 21" (25W)
- Opal lens provides soft, smooth light
- Available with or without decorative silver ring
- Dimmable driver\*
- Ideal for hospitality and multi-family residential applications



10W replaces two 9W CFL  
or a 24W Circline.



12W replaces two 13W CFL  
or a 24W Circline.



20W replaces two 18W CFL  
or a 32W Circline.



25W replaces two 18W CFL  
or a 40W Circline.

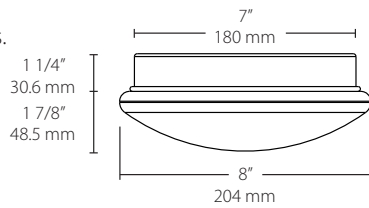


\*See dimmer compatibility chart for known compatible dimmers

## Dimensions & weights

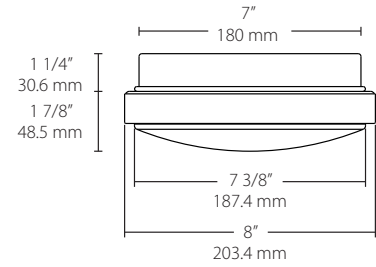
### SK8XL - Plain

Weight: 2.2 lbs.



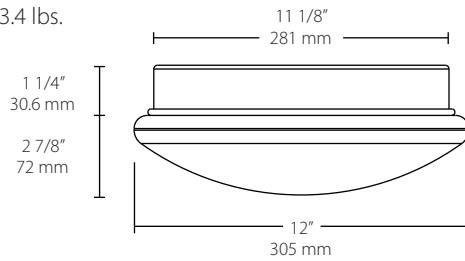
### SK8XL - Decorative Ring

Weight: 2.2 lbs.



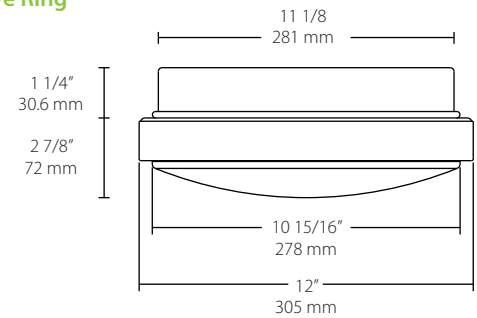
### SK12XL - Plain

Weight: 3.4 lbs.



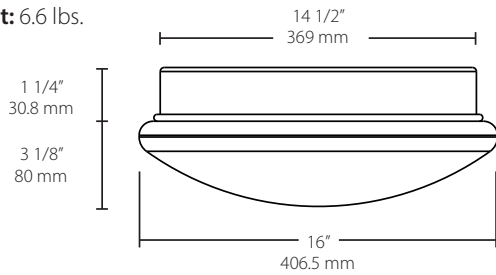
### SK12XL - Decorative Ring

Weight: 3.4 lbs.



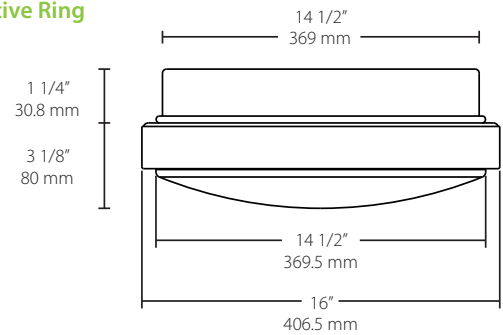
### SK16XL - Plain

Weight: 6.6 lbs.



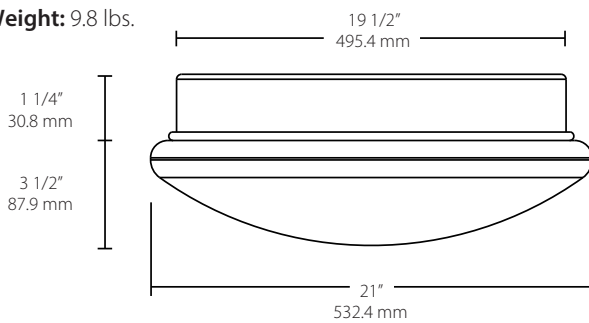
### SK16XL - Decorative Ring

Weight: 6.6 lbs.



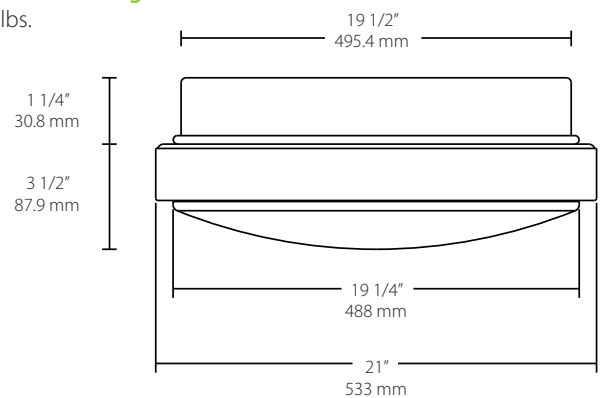
### SK21XL - Plain

Weight: 9.8 lbs.



### SK21XL - Decorative Ring

Weight: 9.8 lbs.



## Dimmer compatibility

### LUTRON

RRD-8ANS-WH  
Skylark S-600P  
Skylark SELV-300P

### LEVITON

Decora 6631-P  
Decora IPL06-10Z

### COOPER

TAL06P-C1  
DAL06P-C1

*This partial list contains a representative selection of known compatible dimming controls.*

# SKEET® XL Specifications

**UL Listing:** Suitable for damp locations

**LEDs:** Long-life, high-efficiency surface mount LEDs

**Lifespan:** 50,000-hour LED lifespan based on IES LM-80 results and TM-21 calculations

**Drivers:**

**10W:** 120VAC TRIAC, Constant current, Class 2, 60 Hz, 0.09A

**12W:** 120VAC TRIAC, Constant current, Class 2, 60 Hz, 0.11A

**20W:** 120VAC TRIAC, Constant current, Class 2, 60 Hz, 0.17A

**25W:** 120VAC TRIAC, Constant current, Class 2, 60 Hz, 0.21A

**Ambient Temperature:** Suitable for use in 40°C ambient temperatures

**Housing:** Steel sheet metal

**Lens:** Diffused acrylic

**Reflector:** White painted, reflective, steel sheet metal

**Mounting:** Ceiling or wall mount to junction box

**IESNA LM-79 & LM-80 Testing:** RAB LED luminaires have been tested in accordance with IESNA LM-79 and LM-80, and have received the Department of Energy "Lighting Facts" label.

**8" 10W**

Color Temperature	4000K	3500K	3000K	2700K
Input Watts	11	11	10	10
Output Lumens*	1,140	1,121	1,017	938
Lumens Per Watt*	108	106	97	91
Color Accuracy (CRI)	82	82	82	82

**12" 12W**

Color Temperature	4000K	3500K	3000K	2700K
Input Watts	12	12	12	12
Output Lumens*	1,300	1,279	1,160	1,069
Lumens Per Watt*	107	105	96	91
Color Accuracy (CRI)	82	82	82	84

**16" 20W**

Color Temperature	4000K	3500K	3000K	2700K
Input Watts	21	20	20	20
Output Lumens*	2,096	2,062	1,870	1,724
Lumens Per Watt*	102	101	92	87
Color Accuracy (CRI)	82	82	82	84

**21" 25W**

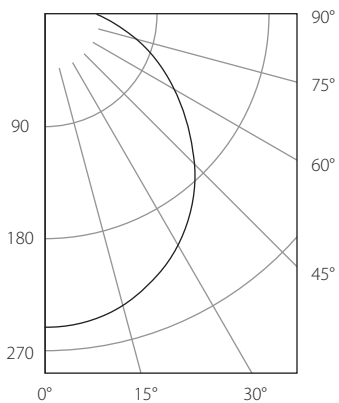
Color Temperature	4000K	3500K	3000K	2700K
Input Watts	25	25	25	24
Output Lumens*	2,482	2,441	2,214	2,041
Lumens Per Watt*	99	98	89	84
Color Accuracy (CRI)	82	82	82	85

\* Performance for plain round models. Visit [rabweb.com](http://rabweb.com) for information on models with a decorative ring.

## Photometrics

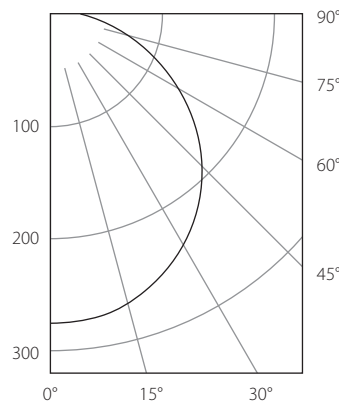
**SK8XL - 2700K**

Photometric Report #RAB02161



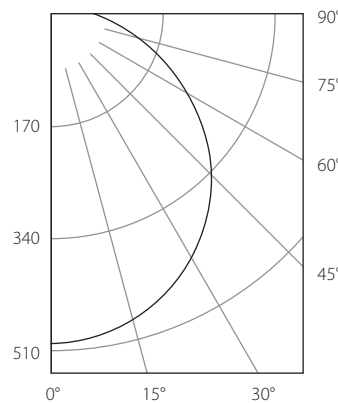
**SK12XL - 2700K**

Photometric Report #RAB02113



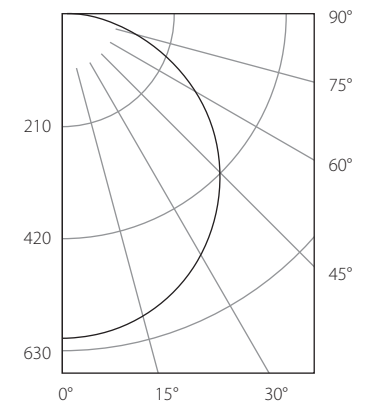
**SK16XL**

Photometric Report #RAB02175



**SK21XL**

Photometric Report #RAB02117



For smooth, even light distribution use the following spacing criteria:

1.2 x mounting height

## Ordering information

Product Family	Wattage	Style	Color Temp
<b>SK8XL</b> 8"	<b>10</b> 10W (8" only)	<b>R</b> Round Basic	<b>N</b> 4000K
<b>SK12XL</b> 12"	<b>12</b> 12W (12" only)	<b>RD</b> Round w/Decorative Ring	<b>YN</b> 3500K
<b>SK16XL</b> 16"	<b>20</b> 20W (16" only)		<b>Y</b> 3000K
<b>SK21XL</b> 21"	<b>25</b> 25W (21" only)		<b>YY</b> 2700K